

HTD-36
LED inject Module Light/Powered By high power LED high quality Chip
SMD3535 1LED/Waterproof IP67/DC12V



*HTD-36 3535 High power 160°beam inject LED module



Features

1. Adopt TOP 3535 SMD LED, no light spot, with a low lumen recession and good consistency.
2. 3535 module With a low power consumption and high lumen value, 225lm/LED, a long life-span, maintenance-free.
3. With ABS plastic injection technique for outer cover, this unique structure grants a better cooling effect.
4. IP Rate: IP67, waterproof.
5. DC12V low voltage input, reliable and safe.
6. Adopt series-parallel connection circuit, 20/40pcs per string, if 40pcs connect together must be on the each end of string connect DC12V, each module could be singled out.
7. Viewing angle: 160°.
8. 2 years warranty.

Application

This product is applicable for 10-20cm glowing character, advertisement board, light box or decoration auxiliary lighting, etc.



Specification

LED Model	HTD-36 SMD LED inject Module
LED Type	3535 SMD LED
LED BRAND	Chip from Epistar
Viewing Angle	160°
Luminous Flux (lm)	>210lm
LED Qty	1
Life Span	50,000 H
Working Voltage	DC12V
Consumption	2W
Driving Method	CV
Stand Length In Serial Connection	20pcs
Maximum Length In Serial Connection	≤40pcs
Shell	White ABS inject
Dimension	51mm*33mm*8.35mm
Available Color	W/WW/CW
Certification	CE&ROHS
Working Temperature	-40°C ~ +60°C
Store Temperature	-50°C ~ +70°C
IP Degree	IP67

Package

Every 20pcs per string,5 strings in an anti-static bag,2000pcs per a carton box.

Carton size: 48cm*48cm*28cm.

Net Weight: 14g/pc; 300g/string; 28kg/carton.

*LED Module/Pixel/Point light source-Package diagram



LED Module

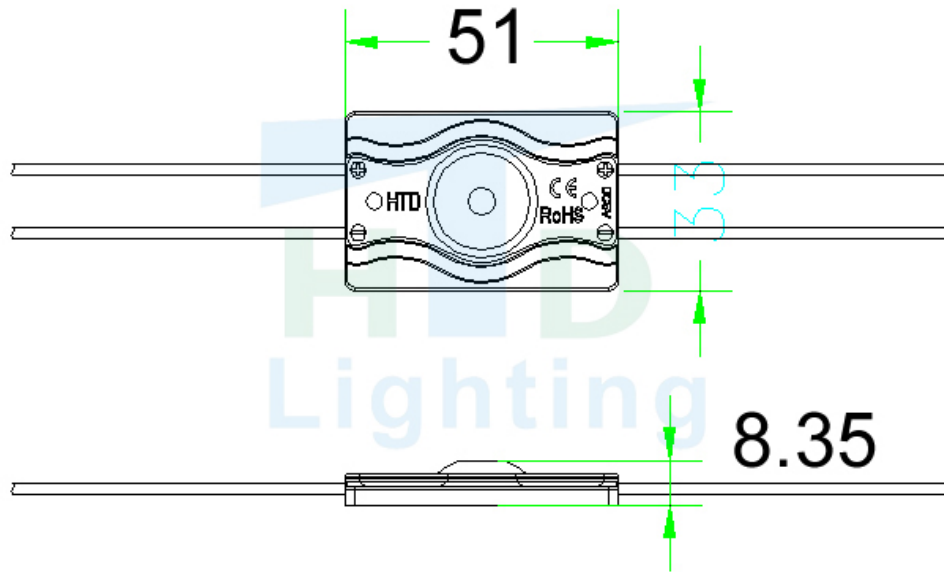


Anti-static bag package



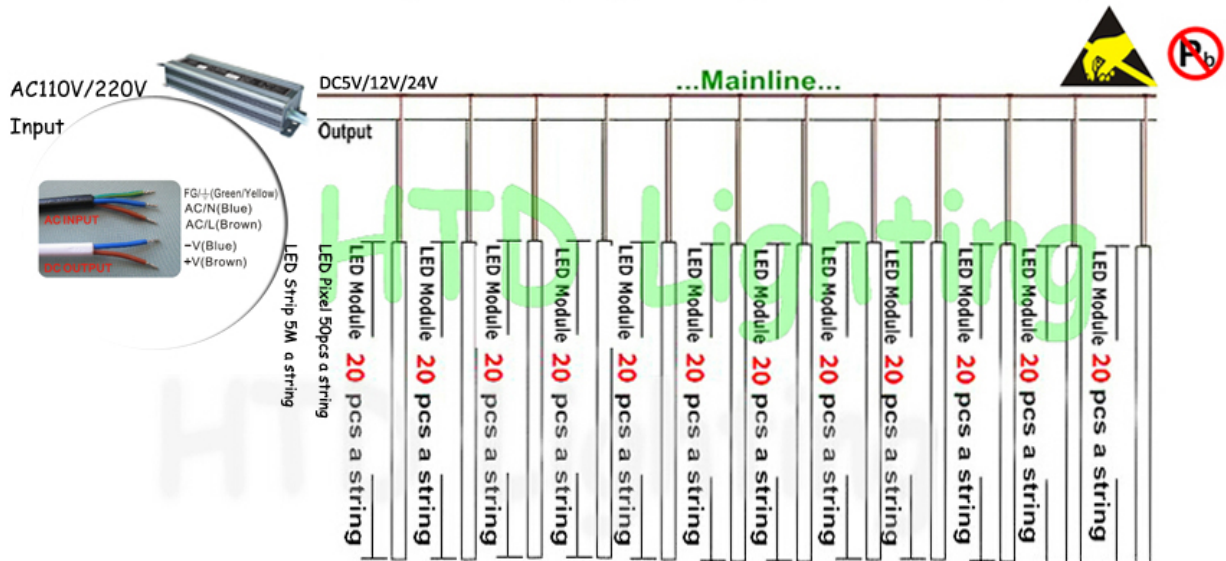
Carton Package

Dimension Diagram (mm)



Connection Diagram

*LED module/Pixel light/Strip light Single color wiring diagram



*This product the most can tandem connection 20pcs module/50pcs pixel/5M strip, Prohibited beyond tandem connection. The thickness of power should according to actual possible present maximum current, the power of products, wiring length (suggest not exceeding 6M) and low voltage transmission line voltage drop. In measuring power use number of circumstances, should retain 20% of the allowance.

*(Important) Ensure that both ends connect power, achieve the best use effect. The module MAX 40pcs/string, Pixel MAX 100pcs/string, Strip MAX 10M/String.

