

HTD-75123-2835A

LED Module Light/Powered By SanAn/Epistar Chip

SMD2835 3LED with 160° Lens/Waterproof IP65/DC12V



## Features

1. Adopt TOP 2835 SMD LED with PC 160° Lens, no light spot, with a low lumen recession and good consistency.
2. 2835 modules with a low power consumption and high lumen value, 20-25lm/LED, a long life-span, maintenance-free.
3. With a PVC plastic technique for outer cover, this unique structure grants a better cooling effect.
4. IP Rate: IP66, waterproof.
5. DC12V low voltage input, reliable and safe.
6. Adopt series-parallel connection circuit, 20/40pcs per string, if 40pcs connect together must be on the each end of string connect DC12V, each module could be singled out.
7. Viewing angle: 160°.
8. 1-2 years warranty.

## Application

This product is applicable for 8-20cm glowing character, advertisement board, light box or local lighting.



## Specification

LED Model	HTD-75123-2835A
LED Type	2835 SMD LED
LED Chip Brand	<b>Chip from SanAn/Epistar</b>
Viewing Angle	160° PC Lens
Luminous Flux (lm)	>60lm
LED Qty	3pcs
Life Span	50,000 H
Working Voltage	DC12V
Consumption	1W
Driving Method	CV
Stand Length In Serial Connection	20pcs
Maximum Length In Serial Connection	≤40pcs
Shell	White PVC
Dimension	L92mm*W16mm*5mm
Available Color	W/WW/CW/R/G/B/Y/P...
Certification	CE & ROHS
Working Temperature	-40℃ ~ +60℃
Store Temperature	-50℃ ~ +70℃
IP Degree	IP66

## Package

Every 20pcs per string,10 strings in an anti-static bag,3000pcs per carton box.

Carton size: 48cm\*48cm\*28cm.

**Net Weight:** 6g/pc; 150 g/string; 22.5kg/carton.

\*LED Module/Pixel/Point light source-Package diagram



LED Module

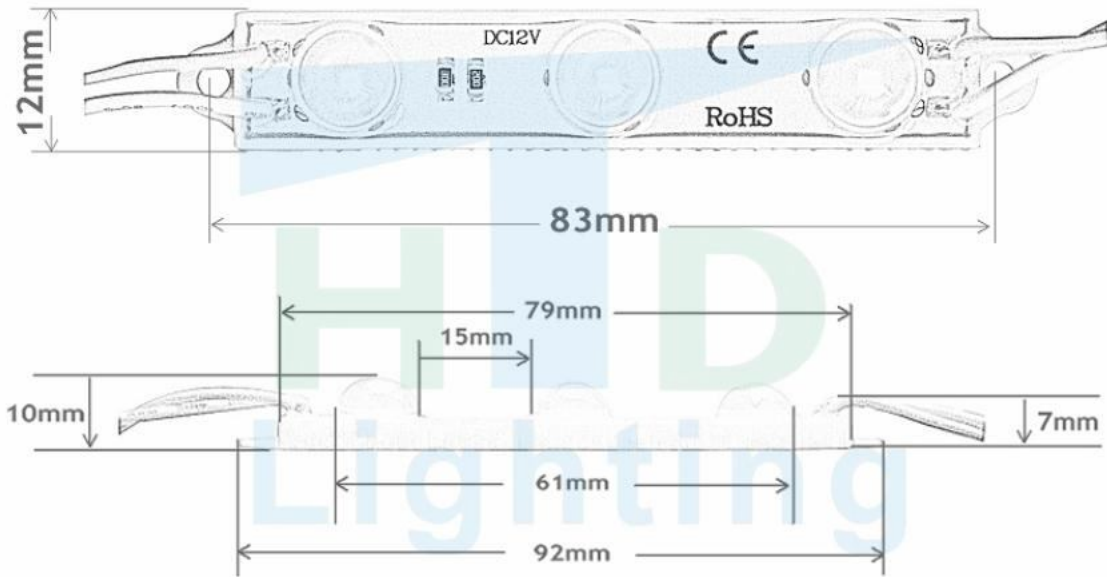


Anti-static bag package



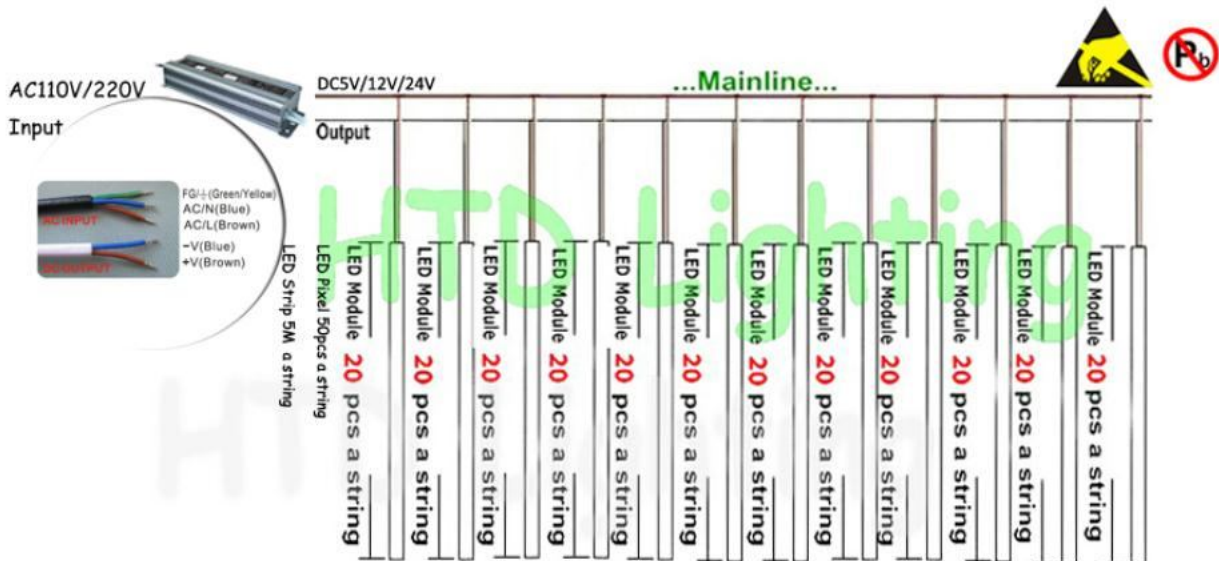
Carton Package

## Dimension Diagram (mm)



## Connection Diagram

\*LED module/Pixel light/Strip light Single color wiring diagram



\*This product the most can tandem connection 20pcs module/50pcs pixel/5M strip, Prohibited beyond tandem connection. The thickness of power should according to actual possible present maximum current, the power of products, wiring length (suggest not exceeding 6M) and low voltage transmission line voltage drop. In measuring power use number of circumstances, should retain 20% of the allowance.

\*(Important) Ensure that both ends connect power, achieve the best use effect. The module MAX 40pcs/string, Pixel MAX 100pcs/string, Strip MAX 10M/String.

